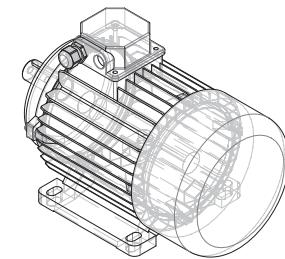
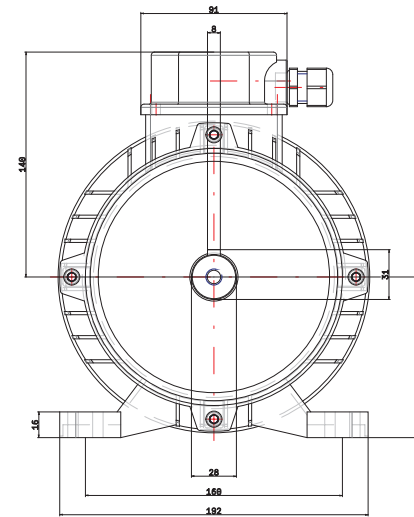
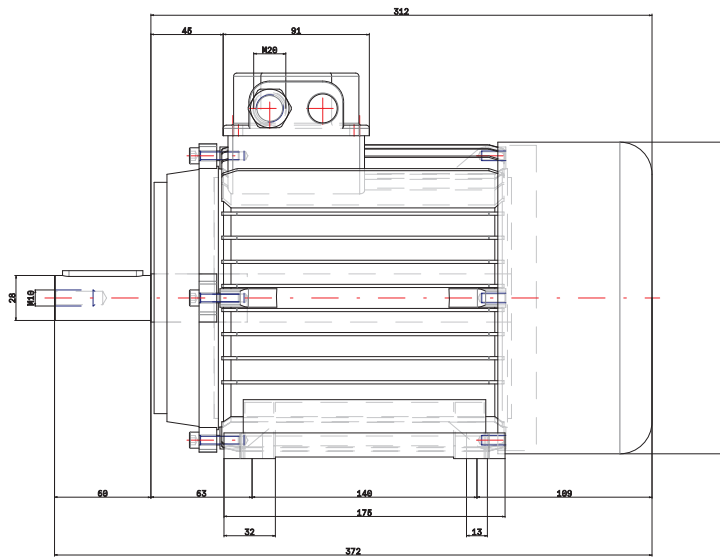


Designation

CE_DP_100_B_4/8_B3- F- SW_IEC 100_IEC 100- AV

E.1

General Dimension 2D:



Mounting positions

WARNING! The complete 2D dimensioned drawing is available only with a default value for the parameter AVC: B3-B5-B14



DRG.TITLE
CE_DP_100_B_4/8_B3- F- SW_IEC 100_IEC 100- AV



NO SCALE

DATE
01.10.2024

LEN./MILL.
mm

SIZE/DWG.
A3

WARNING: THIS IS A PROPRIETY STM - GSM. NOT TO BE USED WITHOUT WRITTEN CONSENT OF STM - GSM.

Date: 01.10.2024

Page: E 2