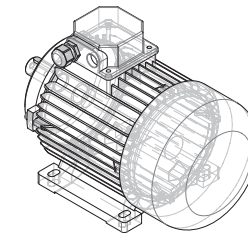
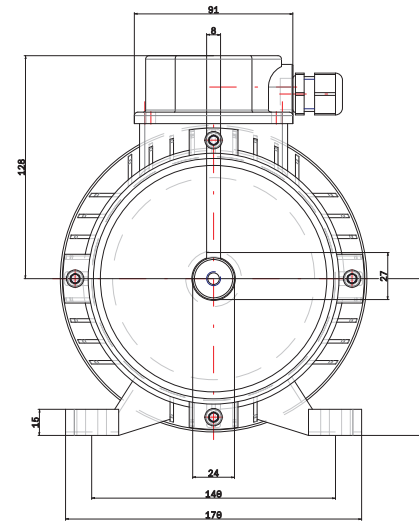
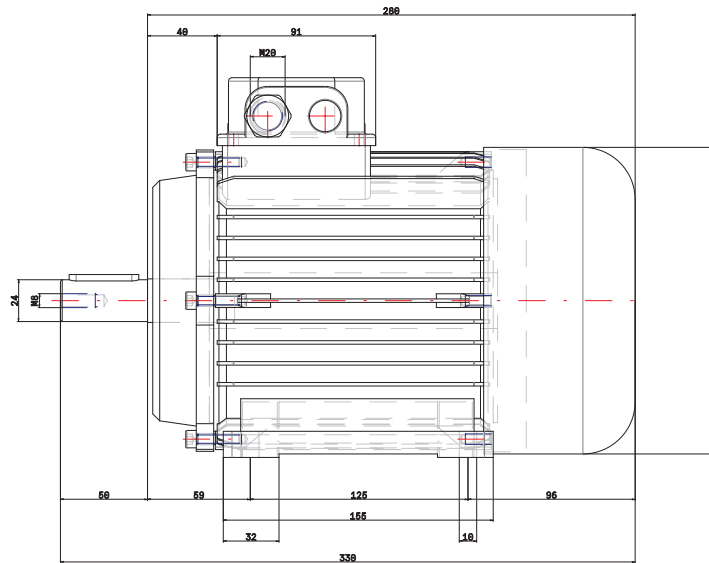


Designation

CE_DP_90_LB_4/8_B3-F_SW_IEC 90_IEC 90-_AV

E.1

General Dimension 2D:



Mounting positions

WARNING! The complete 2D dimensioned drawing is available only with a default value for the parameter AVC: B3-B5-B14



DRG. TITLE
CE_DP_90_LB_4/8_B3-F_SW_IEC 90_IEC 90-_AV



NO SCALE

DATE
01.10.2024

U.N./MILL
mm

SIZE/DWG
A3

WARNING: THIS IS A PROPRIETY STM - GSM. NOT TO BE USED WITHOUT WRITTEN CONSENT OF STM - GSM.

Date: 01.10.2024

Page: E 2