



W\_MI\_110\_20\_100B5\_M1\_INOIL\_STD\_TypSTM\_N\_-----

## C.1.10.30 Gearbox - Basic plate data

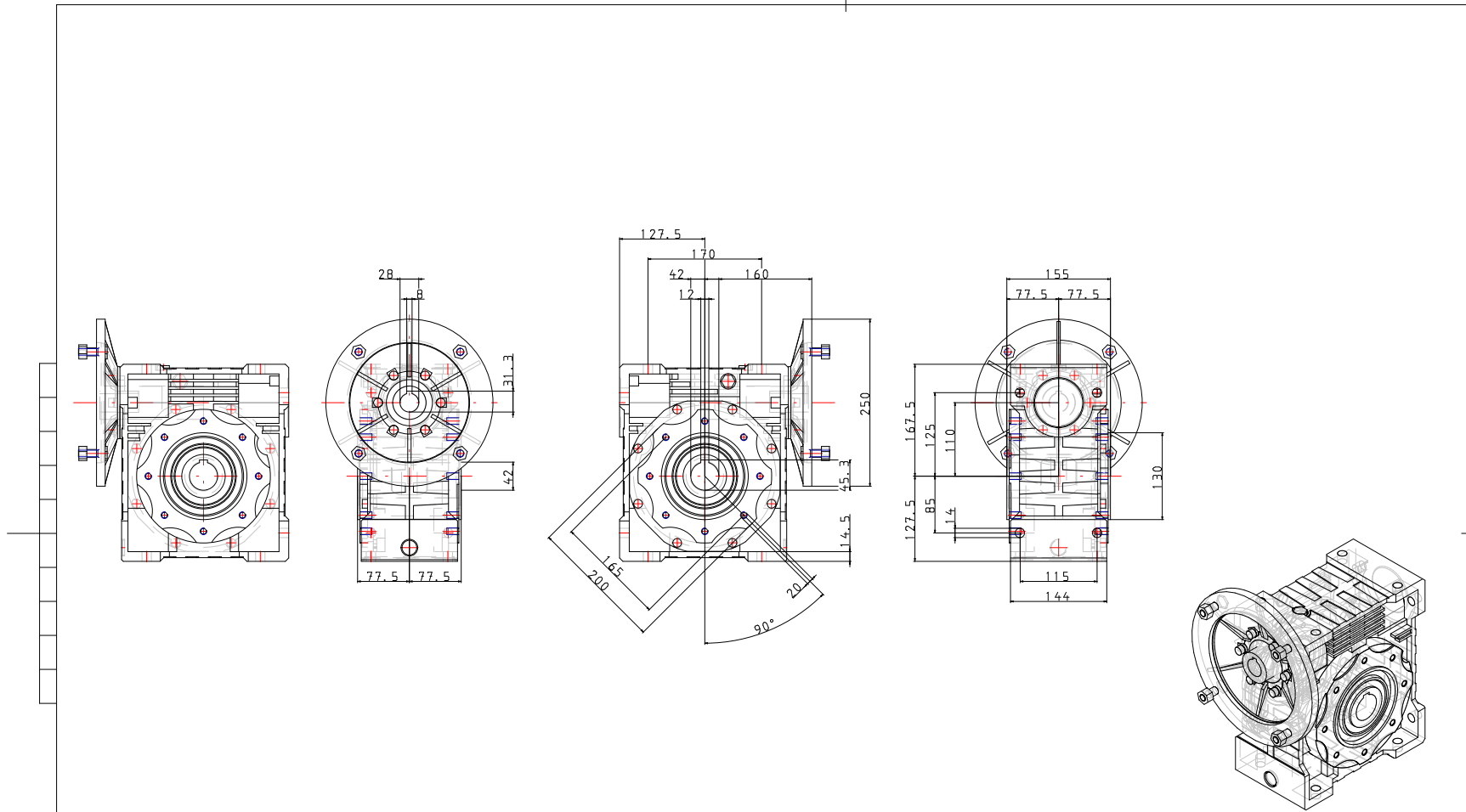
<b>n1</b>	Input shaft speed	<b>1400</b>	[rpm]
<b>n2</b>	Output shaft speed	<b>70</b>	[rpm]
<b>ir_gear</b>	Transmission ratio	<b>20</b>	[Numeric]
<b>TN</b>	Gearbox Nominal Output Torque	<b>649</b>	[Nm]
<b>P1n</b>	Nominal Input Mechanical Power	<b>5.6</b>	[kW]
<b>RD%</b>	Dynamic efficiency	<b>85</b>	[Numeric]
<b>Fr(I/2) n1</b>	Input Nominal Radial Load for Gearbox at I/2 distance	<b>20</b>	[N]
<b>Fr(I/2) n2</b>	Output Nominal Radial Load for Gearbox at I/2 distance	<b>5399</b>	[N]
<b>Fa n1</b>	Input Nominal Axial Load	<b>4</b>	[N]
<b>Fa n2</b>	Output Nominal Axial Load	<b>1080</b>	[N]
<b>Ptn</b>	Thermal Power Rating	<b>4.39</b>	[kW]

Designation

W\_MI\_110\_7.5\_100B5\_M1\_INOIL\_STD\_TypSTM\_N - - - - -

E.1

General Dimension 2D:



M1 - Mounting position

WARNING! The complete 2D dimensioned drawing is available only with a default value for the parameter MP = M1

	DRG. TITLE	W_MI_110_7.5_100B5_M1_INOIL_STD_TypSTM_N - - - - -		
	NO SCALE	DATE 27.01.2022	U.N./M.LL. DR	SIZE DRG. A3
<small>WARNING! THIS IS A PROPERTY STM - GSM. NOT TO BE USED IN THIRTY WRITTEN CONSENT OF STM - GSM.</small>				

Date: 27.01.2022

Page: E 3